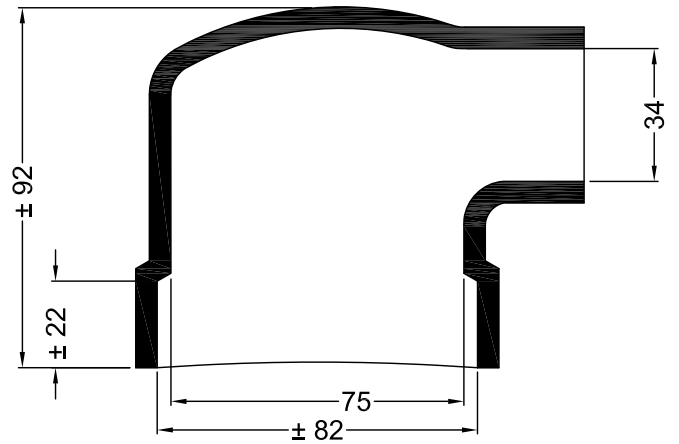
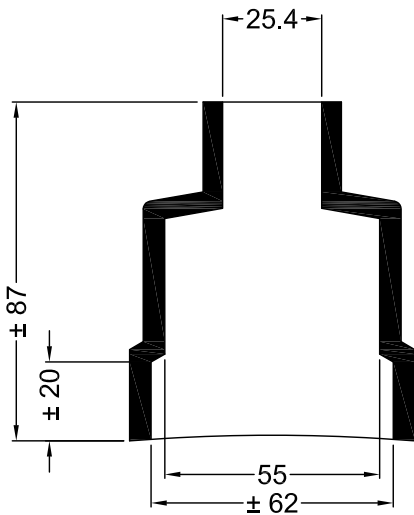


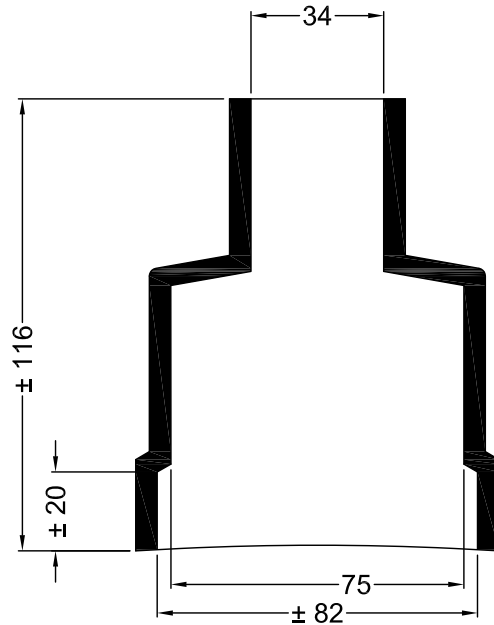
universal Ø55 - 90° bend



universal Ø75 - 90° bend



universal Ø55 straight



universal Ø75 straight

The dimensions stated above are indications only.
 Due to the fact that the material is rubber, more exact dimensions can not be given.

B	x	x	x	x	x
A	x	Rubber moulding universal	Rubber	See Dimension Drawing	x
Partnummer	Quantity	Name	Material and/or subassembly	Norm or size	Remark

American Projection		Description	Rubber moulding	Issue	Date	Change	Drawing nr.
Drawn by	Gert van Nieuwenhuizen	Scale	1 : 1 ±1mm	A	10-05-2010	Released	Rubber moulding universal
Checked by	Erdogan	unit of measur.	mm				Sheet 1/1
DINTRA TRANSMISSIES V.O.F.		Remarks	.				Surface Roughness
							1,6 Ra