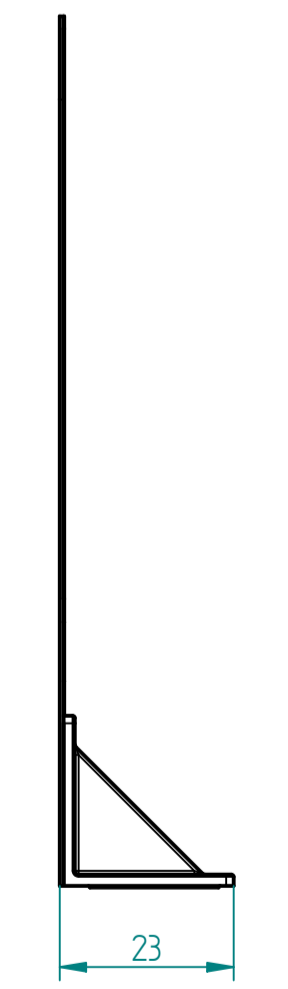
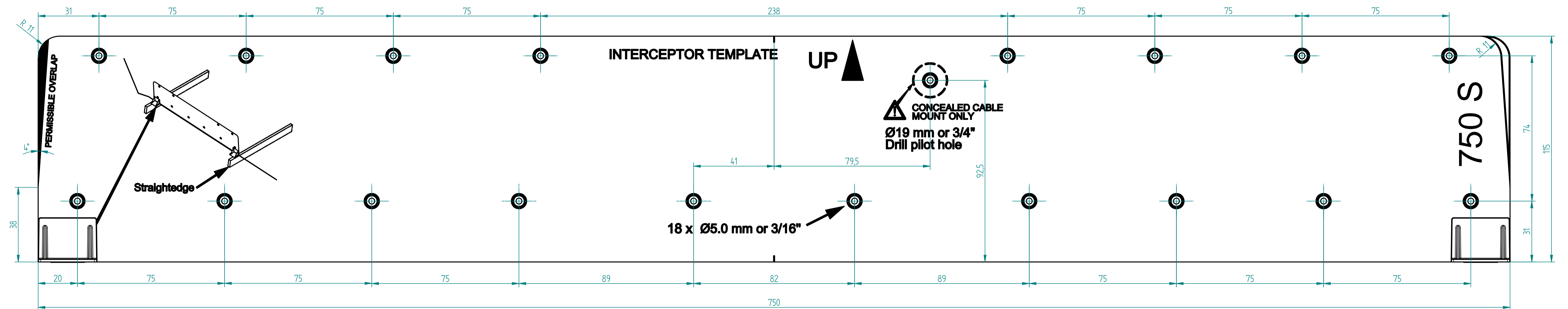


REV	DESCRIPTION	DATE	APPROVED



SIDE VIEW

<small>ALL DIMENSIONS IN mm DIMENSIONS WITHIN BRACKETS [Inches]</small>		<small>DO NOT SCALE DRAWING</small>			
<small>© COPYRIGHT 2015. ALL RIGHTS RESERVED BY ZIPWAKE AB. THE INFORMATION CONTAINED IN THIS DRAWING SHALL NOT BE REPRODUCED IN PART OR AS A WHOLE WITHOUT THE PRIOR WRITTEN PERMISSION OF ZIPWAKE AB.</small>					
<small>www.zipwake.com</small>	NAME: JD	DATE: 15/10/14	SIZE: A1	DWG. NO.: 3015015	REV: R1A
CHECKED:	APPROVED:	FILE NAME: 3015015_Zipwake_Interceptor_750S_Drill_Template_R1A.dft	SCALE: 1:1	WEIGHT:	SHEET 1 OF 1
<small>UNLESS OTHERWISE SPECIFIED GENERAL TOLERANCES ACCORDING TO ISO 2768-1-m</small>					