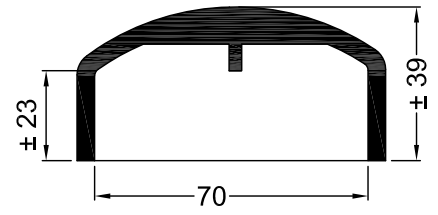
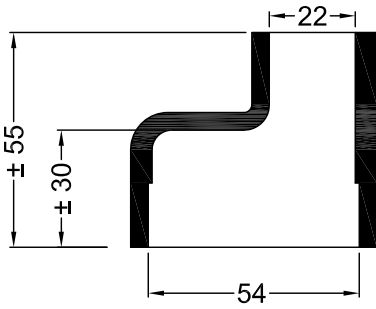


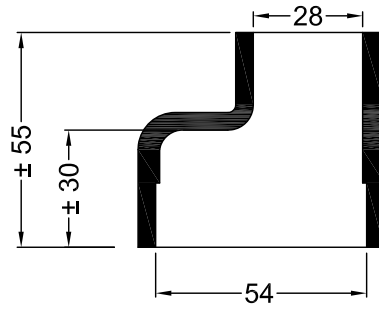
Polar A4/670



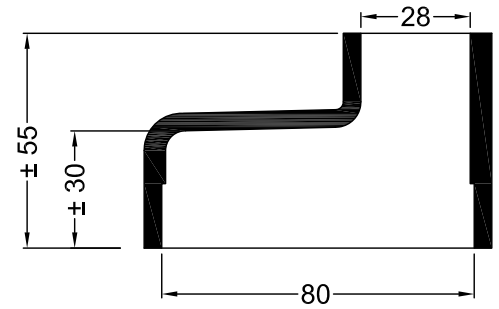
Polar A3/703



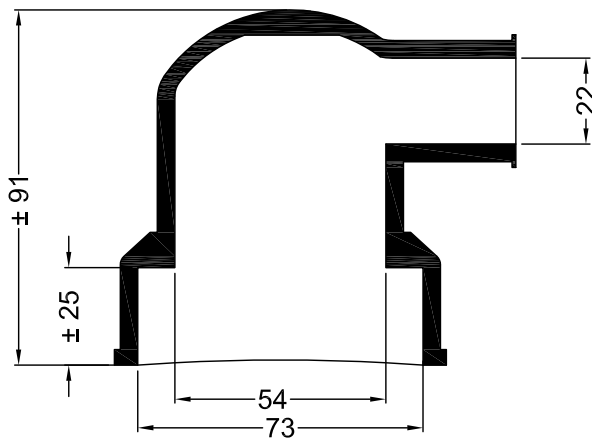
Polar A3/727



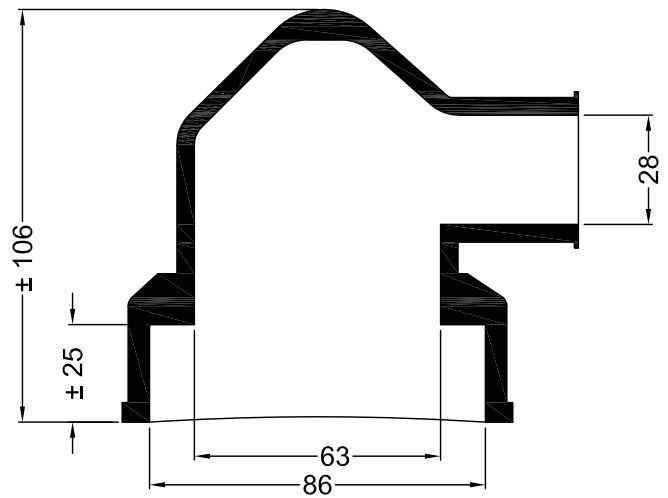
Polar A3/728



Polar A3/635



Polar A3/783

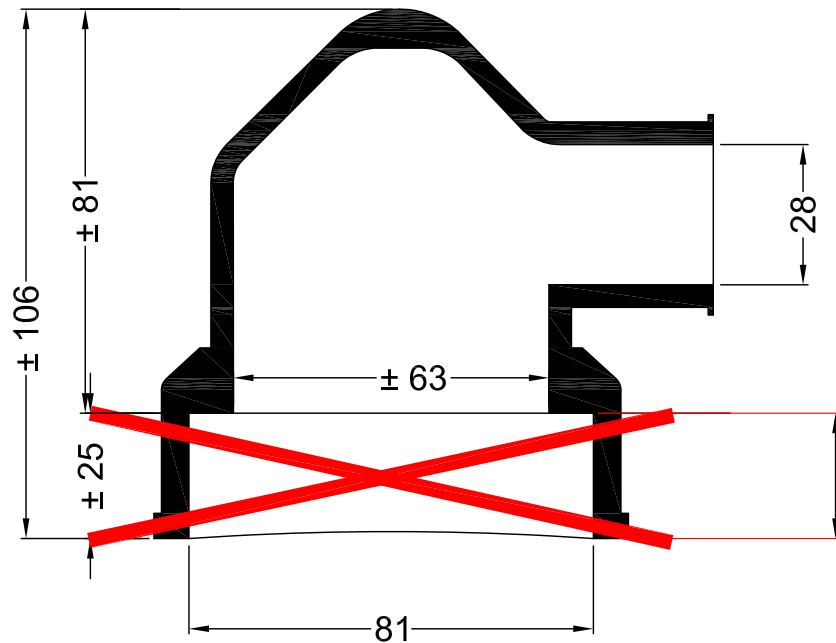


Polar A3/636

The dimensions stated above are indications only.
 Due to the fact that the material is rubber, more exact dimensions can not be given.

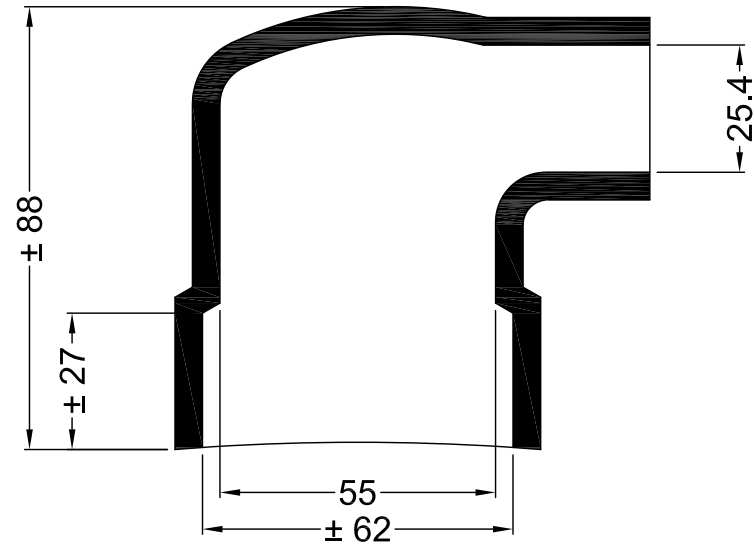
B	x	x	x	x	x
A	x	Rubber moulding Polar	Rubber	See Dimension Drawing	x
Partnummer	Quantity	Name	Material and/or subassembly	Norm or size	Remark

American Projection		Description	Rubber moulding	Issue	Date	Change	Drawing nr.
Drawn by	Gert van Nieuwenhuizen	Scale	1 : 1 ±1mm	A	10-05-2010	Released	Rubber moulding Polar
Checked by	Erdogan	unit of measur.	mm				Sheet 1/1
DINTRA TRANSMISSIES V.O.F.		Remarks	.				Surface Roughness
							1,6 Ra



Polar A3/636

Remove this part of the moulding



universal Ø55

The Polar rubber moulding A3/878 (Ø 63mm.) is not available anymore. As replacement we supply a universal Ø55 mm. version rubber moulding with Ø25.4 mm. (1") hose connection or you can modify a Polar A3/636 as described above.

The dimensions stated above are indications only.

Due to the fact that the material is rubber, more exact dimensions can not be given.

B	x	x	x	x	x
A	x	Rubber moulding Polar	Rubber	See Dimension Drawing	x
Partnummer	Quantity	Name	Material and/or subassembly	Norm or size	Remark

American Projection		Description	Rubber moulding	Issue	Date	Change	Drawing nr.
Drawn by	Gert van Nieuwenhuizen	Scale	1 : 1 ±1mm	A	10-05-2010	Released	Rubber moulding Polar
Checked by	Erdogan	unit of measur.	mm				Sheet 1/1
DINTRA TRANSMISSIES V.O.F		Remarks	.				Surface Roughness
							1,6 Ra