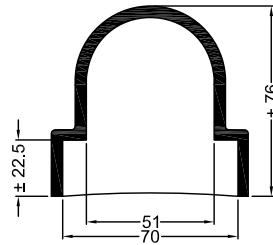
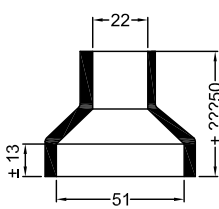


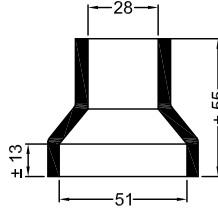
Bowman 3421



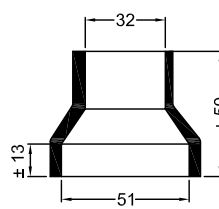
Bowman 3419



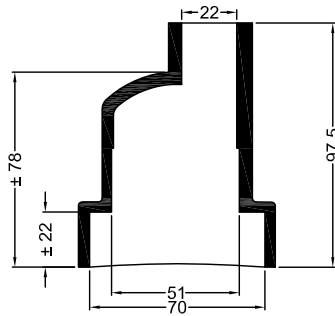
Bowman 3365



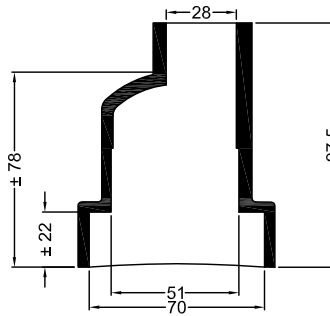
Bowman 3366



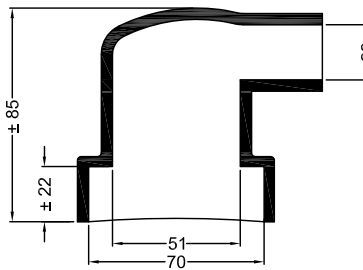
Bowman 3367



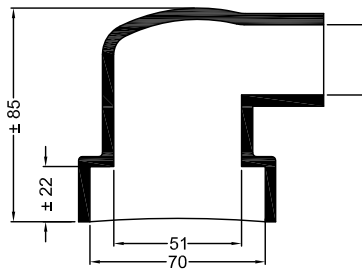
Bowman 3251



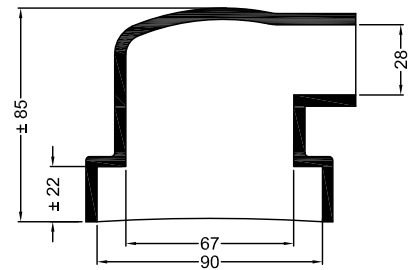
Bowman 3667



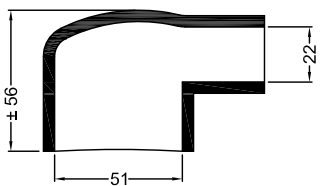
Bowman 2679



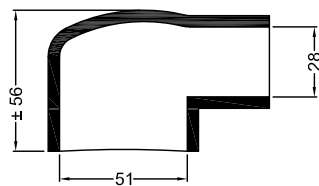
Bowman 3186



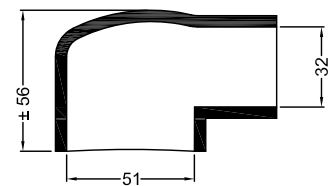
Bowman 3192



Bowman 2680



Bowman 3187



Bowman 3716

The dimensions stated above are indications only.
 Due to the fact that the material is rubber, more exact dimensions can not be given.

B	x	x	x	x	x
A	x	Rubber moulding Bowman	Rubber	See Dimension Drawing	x
Partnummer	Quantity	Name	Material and/or subassembly	Norm or size	Remark

American Projection		Description	Rubber moulding	Issue	Date	Change	Drawing nr.
Drawn by	Gert van Nieuwenhuizen	Scale	1 : 1 ±1mm	A	10-05-2010	Released	Rubber moulding Bowman
Checked by	Erdogan	unit of measur.	mm				Sheet 1/1
DINTRA TRANSMISSIES V.O.F.							Surface Roughness 1,6 Ra
Remarks							